



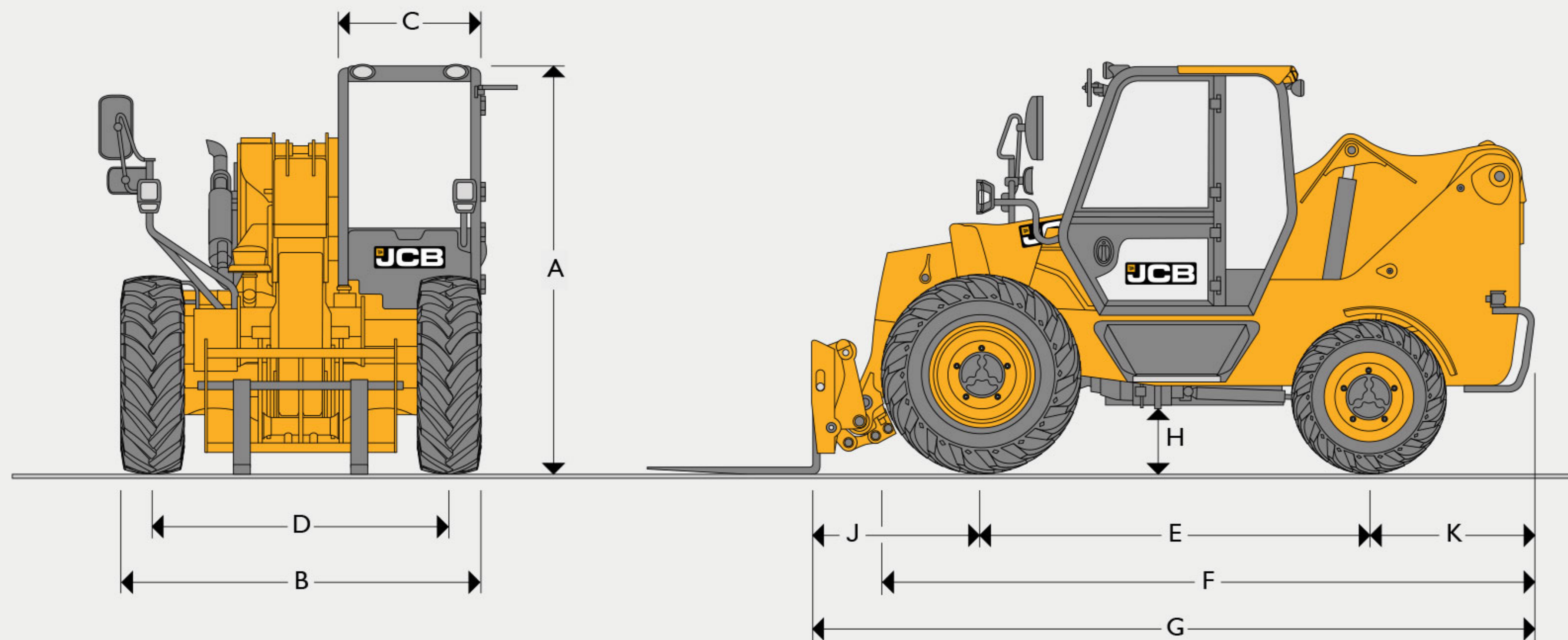
INDUSTRIAL LOADALL

Telescopic Handler
530-70

Gross power: 56kW/76hp Lift capacity: 3000kg Lift height: 7m

PERSADA

JCB



TRANSMISSION	JCB Synchro Shuttle with torque converter (ratio 3.01:1). 4 speed. Maximum travel speed 30kph. Selectable 2/4 Wheel Drive disconnect. Transmission disconnect button (on hydraulic levers). Forwards/neutral/reverse shuttle (steering column mounted). Front and rear drive axles: JCB MaxTrack torque proportioning differential. Front: JCB Drive axle - rigid mounted. Rear: JCB Steer and Drive axle - centrally pivoted with oscillating of 16 degrees.
BRAKES	Service brakes: Hydraulically actuated, self adjusting, in-board, oil-immersed, multi-disc type in the front axle. Splittable pedals for independent braking. Parking brake: Hand operated disc brake, on output of gearbox.
CAB	Fully glazed cabin with standard trim. Vinyl adjustable seat with seat belt. Split stable door. Sun blinds - front screen and roof window. Face level fans. 12 Volt charge socket. ROPS (Roll Over Protection System) conforms to ISO 3471. FOPS (Falling Object Protection System) conforms to ISO 344.

STATIC DIMENSIONS		530-70	
A	Overall height	m	2,67
B	Overall width (over tyres)*	m	2,32
C	Inside width of cab	m	0,79
D	Front track	m	1,98
E	Wheelbase	m	2,49
F	Overall length to front tyres	m	4,19
G	Overall length to front carriage	m	4,66
H	Ground clearance	m	0,40
J	Front wheel centre to carriage	m	1,10
K	Rear wheel centre to rear face	m	1,07
	Outside turn radius (over tyres)	m	4,85
	Operating weight (with GP shovel)	kg	7260
	Operating weight (with forks)	kg	-
*Type dependent			

ENGINE		530-70
Capacity	@2200 rpm	56kW (76hp)
Torque	@1100 rpm	310Nm (31.6 kgm)

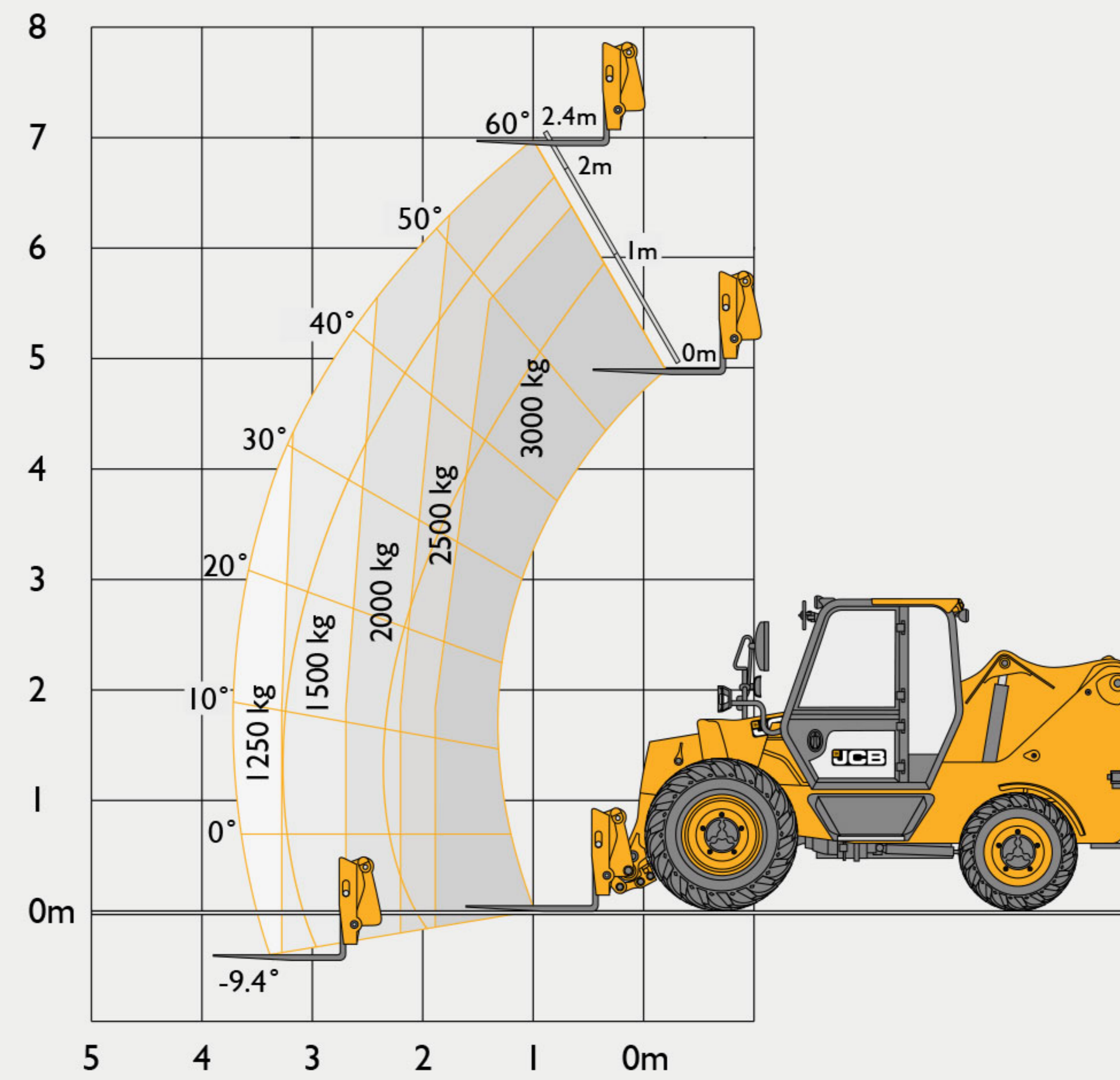
HYDRAULIC CYCLE TIMES		530-70
Boom raise	seconds	9
Boom lower	seconds	6,21
Extend	seconds	5,54
Retract	seconds	5,84
Bucket dump	seconds	2,1
Bucket crowd	seconds	2,7

External sight gauge. Single auxiliary at boom nose with quick release couplings.

HYDRAULIC		530-70
Hydraulic system pressure (bar)		245
Main hydraulic (l/min)		100

LIFT PERFORMANCE

530-70



LIFT PERFORMANCE

530-70

Maximum lift capacity	kg	3000
Lift capacity to full height	kg	2500
Lift capacity at full reach	kg	1250
Lift height	m	7
Reach at maximum lift height	m	1
Maximum forward reach	m	3.67
Reach with 1 tonne load	m	3.67
Placing height	m	6.3
Maximum dump height	m	5.8





PT. PERSADA PALEMBANG RAYA - PERSADA JCB HEAD OFFICE

Jl. Soekarno Hatta RT 006 RW 009, Palembang 30138 - Indonesia

Phone : (+62) 711 5641 999/777 Email : inquiry@jcb.persada-group.com

Fax : (+62) 711 5641 903 Web : www.persada-group.com/jcb

 **JCB Care (24/7 Hotline Service) : (+62) 811 811 6522**

PERSADA

